

IDEA



SOLUTION

From initial concept to finished product

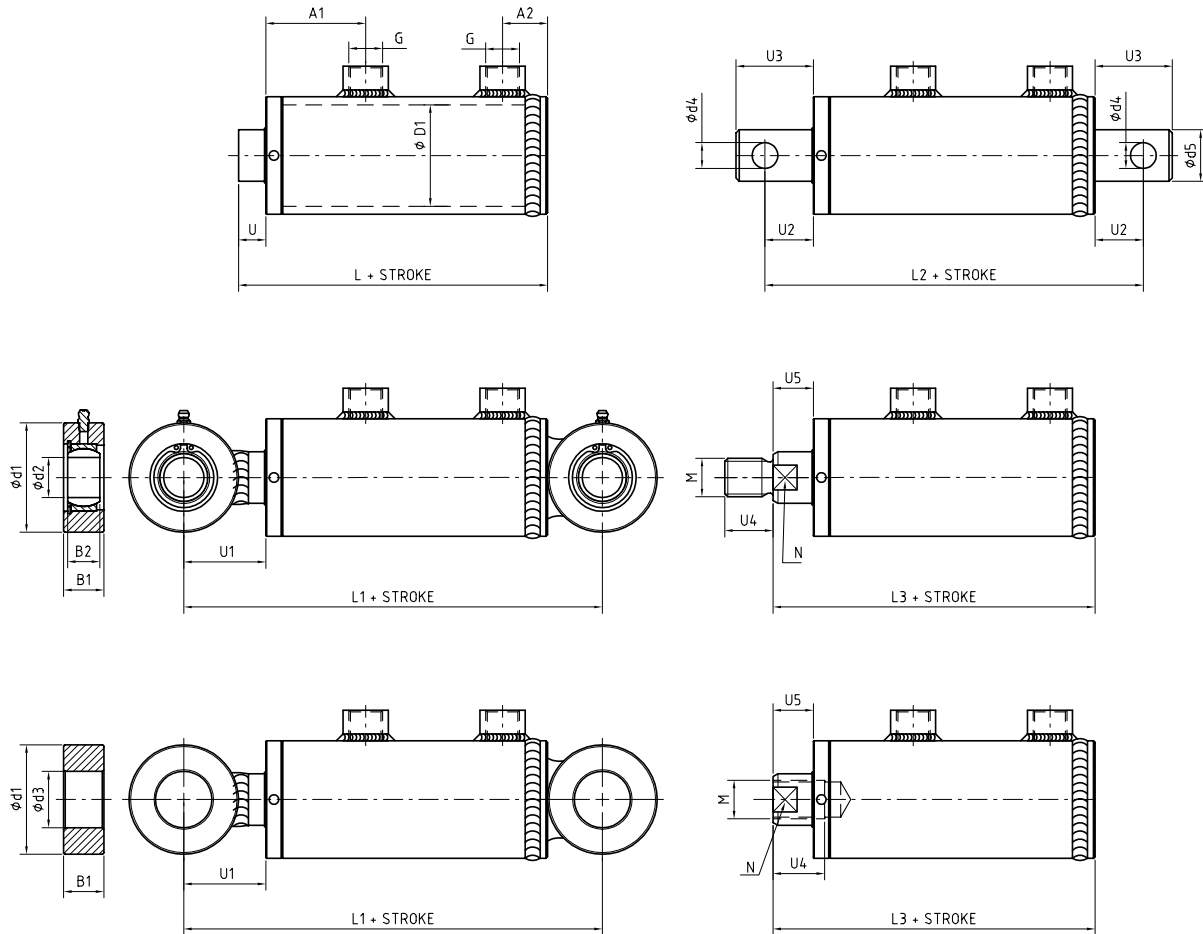
Beginning with your idea, we start a design process with the objective to meet your needs, requirements and expectations. If possible, we base the design on our range of standard cylinders. Once we have a design you are satisfied with, we manufacture your cylinder.

We are devoted to the design, manufacture and sale of hydraulic cylinders that meet our customers' requirements, both in terms of performance and quantities manufactured. Our flexible organisation can produce cylinders in long as well as short production runs, in dimensions from 25/16 to 250/125 millimetres, with a length of up to 6000 millimetres.

We are Sweden's best assorted manufacturer of hydraulic cylinders, with a thorough understanding of the demands for applications in forestry, farming, transportation, construction, manufacturing and other industries.

With more than two decades of experience, Melin & Carlsson Hydraulic AB has the expertise and the track record to be the skilled and reliable partner you need.

Standard range



In addition to our range of standard cylinders, we manufacture cylinders with other dimensions and mounting attachments. Alternative materials are used for service in demanding environments as required. Just send us your list of requirements and we will propose a solution that meets your needs.

Bore D1	Piston rod D2	L	L1	L2	L3	A1	A2	d1	d2	d3	d4	d5	B1	B2	U	U1	U2	U3	U4	U5	G	M	N
25	16	102	140	130	105	44	26	38	12	16	8	16	16	10	12	31	20	30	25	15	G1/4"	M12	14
40	20 25	122	180	152	125	52	25	58	20	20	10	$\frac{20}{25}$	20	16	14	43	22	35	30	17	G1/4"	M16	18
50	25 32	127	195	161	130	52	25	68	25	35	12	$\frac{25}{32}$	25	20	16	50	25	40	30	19	G3/8"	M20x1,5	22
63	32 40	142	220	185	150	62	28	78	30	35	16	$\frac{32}{40}$	30	22	17	56	30	48	35	25	G1/2"	M24x2	28
80	40 50	152	240	215	165	62	28	88	35	40	20	$\frac{40}{50}$	35	25	17	61	40	65	40	30	G1/2"	M30x2	35
100	50 63	162	270	245	180	67	33	108	45	50	25	$\frac{50}{63}$	45	32	17	71	50	80	55	35	G1/2"	M42x2	45
125	63 80	182	320	270	200	73	35	138	60	60	30	$\frac{63}{80}$	60	44	22	91	55	85	65	40	G1/2"	M48x2	55
140	80 100	202	350	315	225	83	40	148	70	70	35	$\frac{80}{100}$	70	49	17	91	65	95	70	40	G3/4"	M68x3	60

Force table

Bore diameter	Piston rod diameter	Push force in kN at 18 MPa	Pull force in kN at 18 MPa	Push force in kN at 25 MPa	Pull force in kN at 25 MPa	Bore area cm ²	Piston rod area cm ²
25	16	8,8	5,2	12,3	7,2	4,91	2,9
40	20	22,6	17	21,4	23,6	12,56	9,42
	25	22,6	13,8	31,4	19,1	12,56	7,65
50	25	35,3	26,5	49,1	36,8	19,63	14,72
	32	35,3	20,9	49,1	29	19,63	11,59
63	32	56,1	41,6	77,9	57,8	31,1	23,12
	40	56,1	33,5	77,9	46,5	31,16	18,6
80	40	90,4	76,8	125,6	94,2	50,24	37,68
	50	90,4	55,1	125,6	76,5	50,24	30,63
100	50	141,3	106	196,3	147,2	78,5	58,88
	63	141,3	85,2	196,3	118,4	78,5	47,34
125	63	220,8	164,7	306,6	228,7	122,66	91,5
	80	220,8	130,3	306,6	181	122,66	72,42
140	80	276,9	186,5	384,7	259,1	153,86	103,62
	100	276,9	135,6	384,7	188,4	153,86	75,36



Melin Carlsson

PO Box 438 • S-573 25 Tranås • Sweden

Visiting address: Floragatan 10

Tel: +46 140 38 54 60 • Fax: +46 140 38 54 70

info@mchdraulic.se • www.mchdraulic.se



SWEDEN'S BEST ASSORTED MANUFACTURER OF HYDRAULIC CYLINDERS