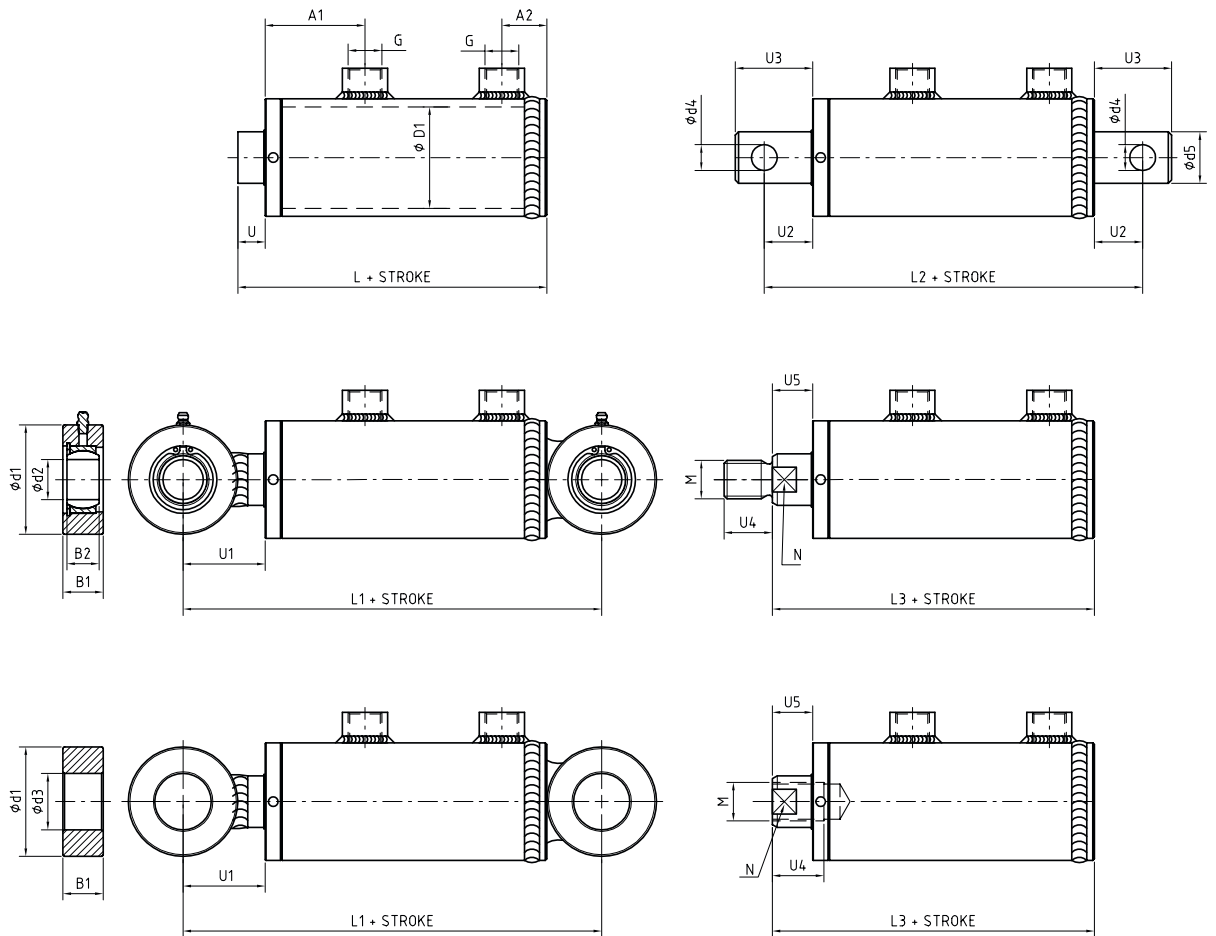


Standard range



Measurements table

| Bore D1 | Piston rod D2 | L | L1 | L2 | L3 | A1 | A2 | d1 | d2 | d3 | d4 | d5 | B1 | B2 | U | U1 | U2 | U3 | U4 | U5 | G | M | N |
|------------|------------------|-----|-----|-----|-----|----|----|-----|----|----|----|-----------|----|----|----|----|----|----|----|----|-------|---------|----|
| 25 | 16 | 102 | 140 | 130 | 105 | 44 | 26 | 38 | 12 | 16 | 8 | 16 | 16 | 10 | 12 | 31 | 20 | 30 | 25 | 15 | G1/4" | M12 | 14 |
| 40 | 20 25 | 122 | 180 | 152 | 125 | 52 | 25 | 58 | 20 | 20 | 10 | 20 25 | 20 | 16 | 14 | 43 | 22 | 35 | 30 | 17 | G1/4" | M16 | 18 |
| 50 | 25 32 | 127 | 195 | 161 | 130 | 52 | 25 | 68 | 25 | 35 | 12 | 25 32 | 25 | 20 | 16 | 50 | 25 | 40 | 30 | 19 | G3/8" | M20x1,5 | 22 |
| 63 | 32 40 | 142 | 220 | 185 | 150 | 62 | 28 | 78 | 30 | 35 | 16 | 32 40 | 30 | 22 | 17 | 56 | 30 | 48 | 35 | 25 | G1/2" | M24x2 | 28 |
| 80 | 40 50 | 152 | 240 | 215 | 165 | 62 | 28 | 88 | 35 | 40 | 20 | 40 50 | 35 | 25 | 17 | 61 | 40 | 65 | 40 | 30 | G1/2" | M30x2 | 35 |
| 100 | 50 63 | 162 | 270 | 245 | 180 | 67 | 33 | 108 | 45 | 50 | 25 | 50 63 | 45 | 32 | 17 | 71 | 50 | 80 | 55 | 35 | G1/2" | M42x2 | 45 |
| 125 | 63 80 | 182 | 320 | 270 | 200 | 73 | 35 | 138 | 60 | 60 | 30 | 63 80 | 60 | 44 | 22 | 91 | 55 | 85 | 65 | 40 | G1/2" | M48x2 | 55 |
| 140 | 80 100 | 202 | 350 | 315 | 225 | 83 | 40 | 148 | 70 | 70 | 35 | 80 100 | 70 | 49 | 17 | 91 | 65 | 95 | 70 | 40 | G3/4" | M68x3 | 60 |

We reserve the right to make changes.

Melin & Carlsson

PO Box 438 • S-573 25 Tranås • Sweden
 Visiting address: Floragatan 10
 Tel: +46 140 38 54 60 • Fax: +46 140 38 54 70
 info@mchdraulic.se • www.mchdraulic.se

